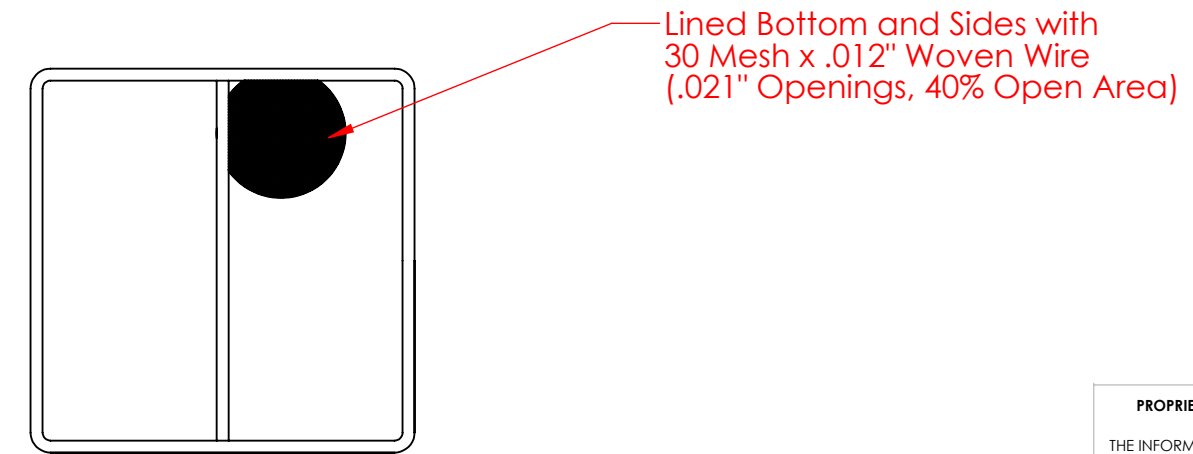
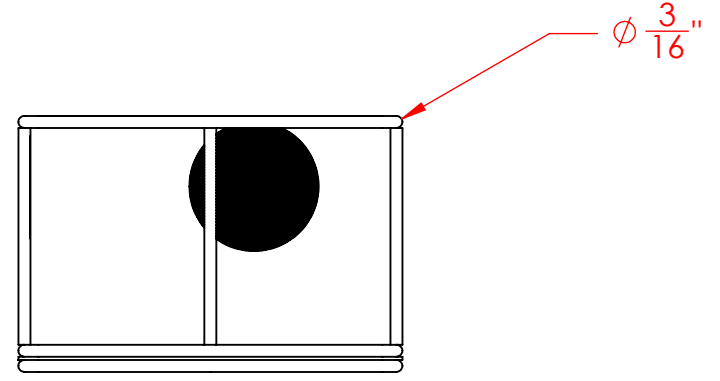
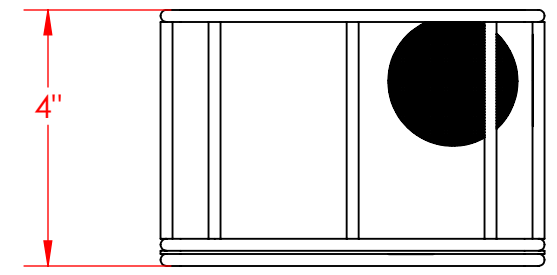
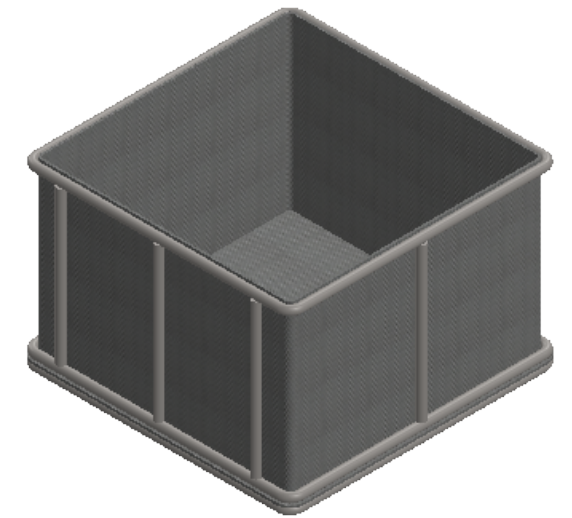
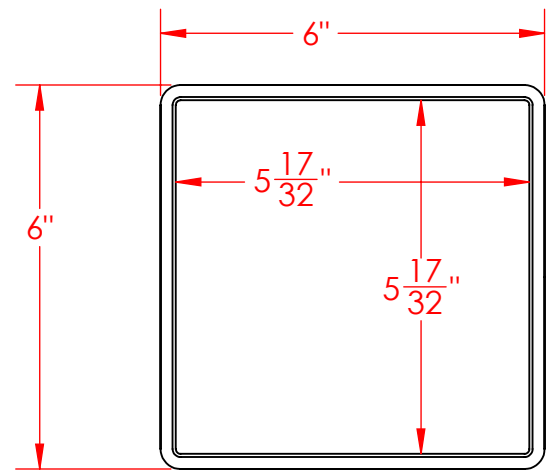


8 7 6 5 4 3 2 1

D  
C  
B  
A



UNLESS OTHERWISE SPECIFIED:  
DIMENSIONS ARE IN INCHES  
TOLERANCES:  
FRACTIONAL  $\pm 1/16$ "  
ANGULAR:  $\pm 5$  DEG.  
TWO PLACE DECIMAL  $\pm 0.03$   
THREE PLACE DECIMAL  $\pm 0.015$

EST WGT  
1.1 lbs.  
MATERIAL  
304 Stainless Steel  
FINISH  
Natural

DO NOT SCALE DRAWING

Rectangular Wire Mesh Basket:  
6Lx6Wx4H, 304 SS, 3/16 Rod Frame,  
No Handles, Mesh: 30 x .012

SIZE **B** DWG. NO.  
TMT-060060040-N30S

SCALE: 1:3

SHEET 1 OF 1

**PROPRIETARY AND CONFIDENTIAL**  
THE INFORMATION CONTAINED IN THIS  
DRAWING IS THE SOLE PROPERTY OF  
THREE M TOOL. ANY REPRODUCTION IN  
PART OR AS A WHOLE WITHOUT THE  
WRITTEN PERMISSION OF THREE M TOOL  
IS PROHIBITED.

8 7 6 5 4 3 2 1